

Proceptor[®]PDI

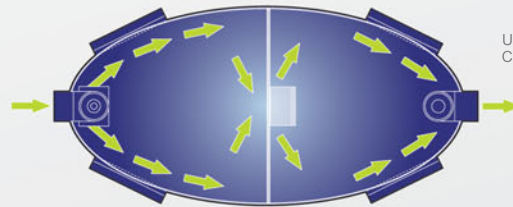
30
year
warranty



Green Turtle engineers believed there should be a high-capacity alternative to small hydro-mechanical grease interceptors typically found in commercial kitchens. **ProceptorPDI** was developed to provide an innovative solution to grease capture and retention, utilizing greater capacities and flow rates not certified for any other device on the market - 100 gallons per minute (GPM) and 200 pounds of grease storage.

Known solutions - proven technology.

The patented distribution tee and elliptical tank shape create a laminar flow pattern designed not to disrupt or scour the grease and sediment layers. At full rated flow, ProceptorPDI interceptors can hold between 45% - 50% of their volume in fats, oil, grease and food particles while delivering superior effluent quality.



US Patent 5,726,912
Canadian Patent 2,195,822

Why choose ProceptorPDI?

Unmatched **Capacity**

All ProceptorPDI models are certified to 100 GPM by the Plumbing and Drainage Institute, the largest flow rate tested in the standard. They also comply with the latest editions of the International Plumbing Code.

Now, with 5 models ranging in liquid volume capacities from 100 gallons to 300 gallons, grease and even food solids can be captured and stored efficiently without compromising removal performance. The larger 100 GPM capacity also means multiple sinks and floor drains can be serviced with a single ProceptorPDI.

Installation **Flexibility**

Facilities managers and design engineers have never had so much flexibility when configuring a commercial kitchen.

Fully H-20 traffic rated, the ProceptorPDI can be buried in the ground, either outside the building or in the kitchen. Above-ground installations, including in-kitchen, under the sink, or in the basement options are now also entirely viable.

The larger capacities of ProceptorPDI mean that a single PDI certified Proceptor can be installed to handle greasy wastewater from multiple food prep sinks, mop sinks, and floor drains - as well as food solids from disposals, eliminating the need for multiple units or additional plumbing.

Highest Overall **ROI**

With the highest capacity and greatest efficiency, ProceptorPDI allows longer periods between pump-outs, therefore lowering overall operating costs. The math is simple and the savings are real.

ROI comes in other ways, too. The unique shape, smooth walls and material of construction dictate its resistance to corrosion and buildup, resulting in a tank that is easiest to clean, will not crack or break down, and will never need costly replacement. Gone is the cycle of rusty metal trap failure.



Our engineered grease interceptor advances the PDI benchmark.



greenturtletech.com

US 877 428 8187
CA 877 966 9444

Standard Specifications

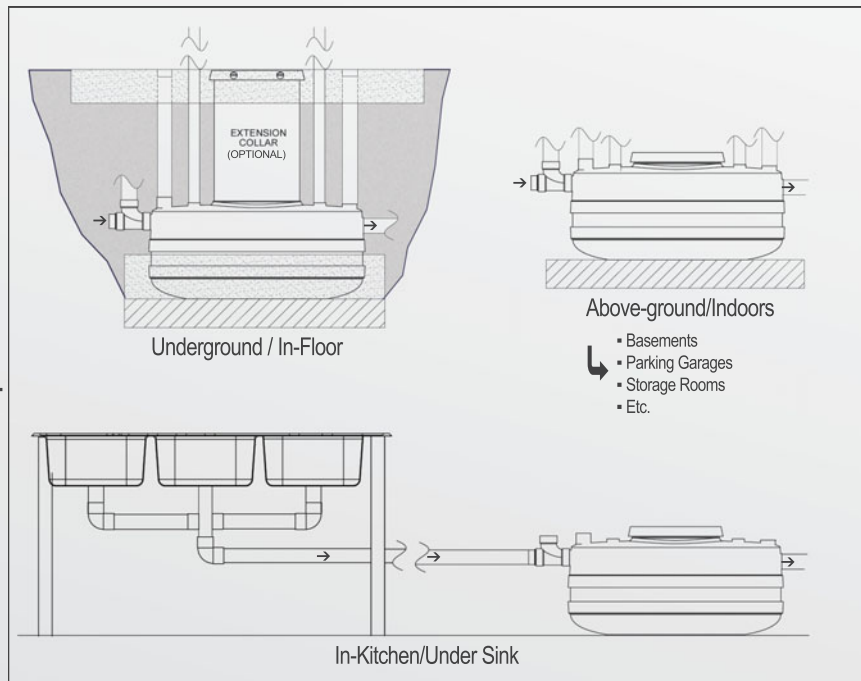
Model Number (U.S. Gal Capacity)	Dimensions L x W x H (in)	Weight (lbs)	Rated GPM	Grease Capacity (lbs)
GMC 100 PDI	62 x 32 x 32	150	100	200
GMC 150 PDI	62 x 32 x 40	175	100	200
GMC 200 PDI	62 x 32 x 48	205	100	200
GMC 250 PDI	62 x 32 x 56	230	100	200
GMC 300 PDI	62 x 32 x 64	255	100	200

SIZED PER PDI G101 STANDARD | PDI CERTIFIED AT 100 USGPM



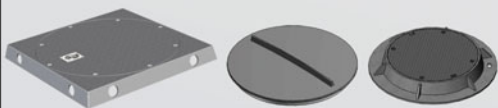
Proceptor is code compliant in every municipality in North America with custom/special order configurations available.

Installation Options

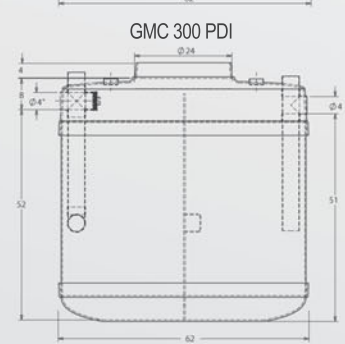
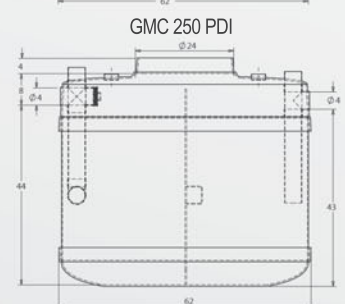
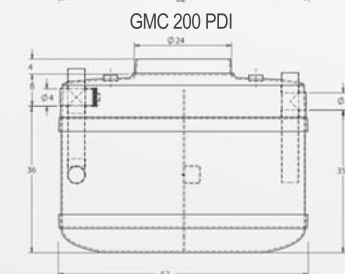
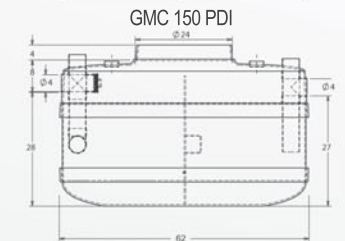
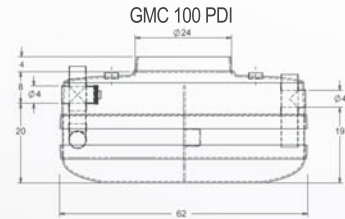


Configuration Options

<p>Cast iron H20 traffic rated access cover</p> <p>Fiberglass non-skid cover</p> <p>Screw-on polymer access cover</p> <p>Lockable cast iron covers for secure installations</p>	<p>Deep burial package</p> <p>Fiberglass extension collar</p> <p>Above-ground installation</p> <p>Remote suction</p>
--	--



Instrumentation options



All configurations and options available at:
www.greenturtletech.com/infohub

