

# PHIX™

10  
year  
warranty

Under-Sink Applications

Gravity Series for Larger Needs

Replacement for Existing Systems

Wastewater Acid Neutralization Solutions

**PHIX™ Media**-based systems feature innovative technology that neutralizes acidic water before it enters the wastewater stream. PHIX media and related application systems have been specifically engineered to deliver maximum performance in minimal space for commercial, institutional and industrial settings, including schools, labs and hospitals.

Features &  
**Benefits**

5 Times More Efficient than Limestone  
Lasts 25-30 Times Longer than Limestone  
Non-toxic - Requires No Special Handling  
Easy Maintenance  
Self-Contained Systems



## Why choose PHIX?

### Safety & Performance

PHIX Media is as safe as limestone chips. There are no special storage and handling requirements. It is a proprietary mix of solid alkali non-resin materials. Because of its granular particle size, chemistry, and surface reactivity, it is 5 times more efficient than limestone and lasts 30 times longer.

**PHIX Media** is a proprietary mix of solid alkali non-resin materials, which is spent throughout the neutralization process.

### Ensuring Compliance

Most communities regulate the discharge of acidic wastewater into the sanitary sewer system. Regulations often prescribe pH limits in the range of pH 5.0 - 10.0 to prevent corrosion of the system.

Limestone systems are large, cumbersome and, in practice, minimally effective. They can be quite difficult to service and maintain. An easy-to-service, long life, high efficiency system means greater insurance against pipe failure and regulatory non-compliance. PHIX Media systems step up to the challenge.

### Absolute Simplicity

Replacing spent PHIX Media is very simple. Unlike limestone, PHIX Media will not fuse together and become difficult to replace at the end of its service life. For PHIX Cartridge users, Green Turtle includes a pre-sized measuring scoop to take out the guesswork.

Green Turtle also has an answer for facilities currently using a limestone system they want to upgrade to a high performance solution. PHIX Pacs are pre-measured in mesh pouches. Simply remove the spent limestone and replace with the Pacs.

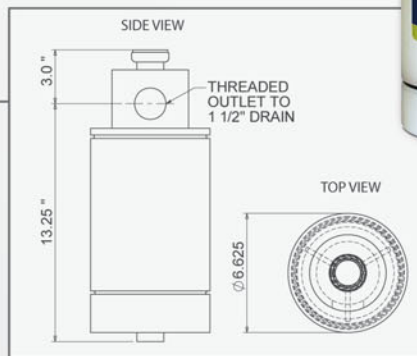


greenturtletech.com

US 877 428 8187  
CA 877 966 9444

**PHIX Cartridges**

Designed for installation directly under a sink, PHIX Cartridges are ideal for laboratory under-sink applications. With its engineered flow-through design to maximize efficiency and minimize maintenance, this non-hazardous, non-WHIMIS controlled system eliminates the need for special storage and handling requirements.



All configurations and options available at:  
[www.greenturtletech.com/infocenter](http://www.greenturtletech.com/infocenter)



**PHIX Pacs**

PHIX Pacs are an effective acid neutralization system component using 5 lb (2.2 kg) permeable packets which are placed within your existing neutralization tanks and can be easily removed and replaced. They are much easier to handle than limestone which needs to be shoveled, or jack hammered, out. PHIX Pacs are a safe and effective long-term acid neutralization replacement.



**PHIX Gravity**

The PHIX Gravity Series is an acid neutralization tank using PHIX Pacs. Its patented flow-through design maximizes system performance while minimizing maintenance. By optimizing flow distribution, the PHIX Gravity Series promotes maximum contact between PHIX Media and wastewater, reducing the required detention time. It is easy to install and available in various sizes to treat a wide range of flows and incoming pH levels.