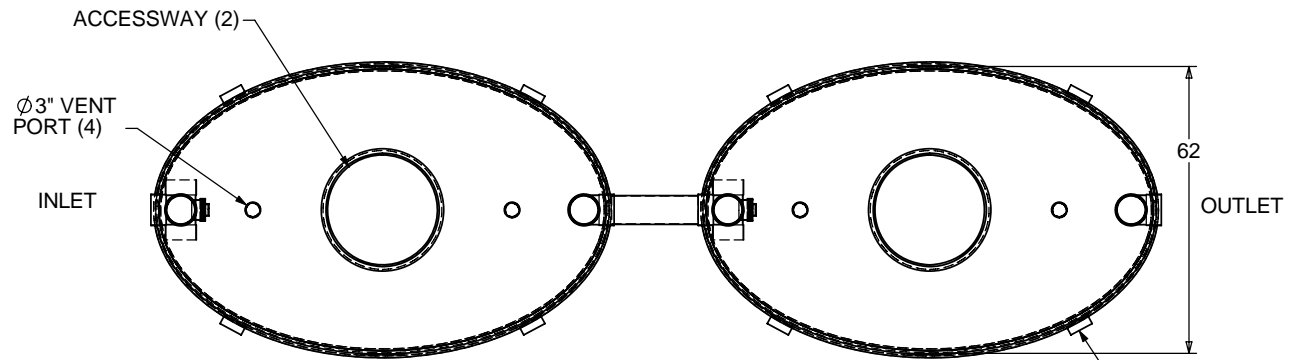
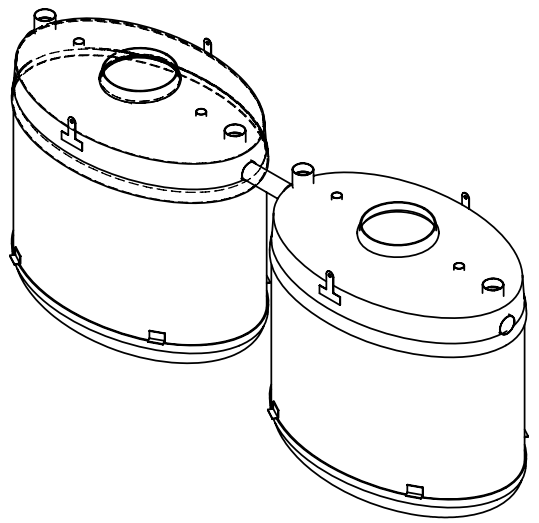


NOTES:

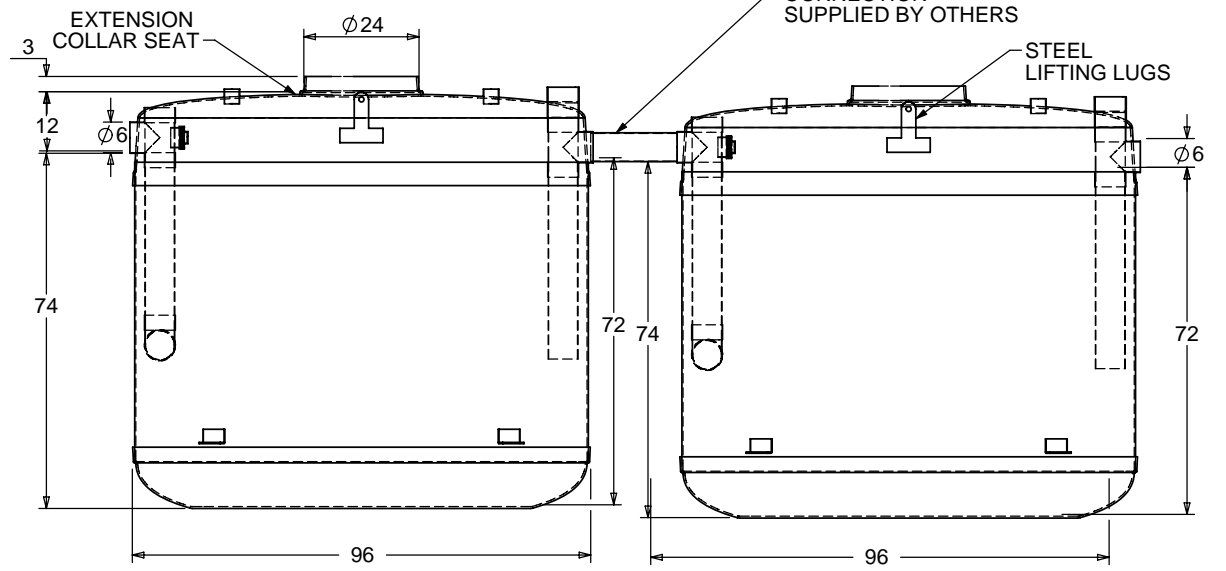
1. FOR GRAVITY APPLICATIONS ONLY.
2. ALL PROCEPTOR UNITS ARE MANUFACTURED WITH FIBERGLASS REINFORCED PLASTICS. PHYSICAL CHARACTERISTICS AND THICKNESS: POLYESTER RESIN AND E GLASS MINIMUM THICKNESS 1/4" WALL AND 3/8" TOP AND BOTTOM BOWLS.
3. ALL PROCEPTOR UNITS ARE TO BE INSTALLED IN ACCORDANCE WITH THE MANUFACTURERS INSTALLATION INSTRUCTION.
4. STANDARD PIPE STUBS ARE SOCKET SDR 35 PVC SEWER MATERIAL (SCHEDULE 40 ADAPTORS ADDED FOR ALL PROJECTS IN USA).
5. GMC/OMC 500 - 3000 UNITS COME STANDARD WITH 6" INLET AND OUTLET (OTHER CUSTOM SIZES AVAILABLE AT EXTRA CHARGE).
6. EXTENSION COLLAR TO BE ORDERED TO MEET FINISHED GRADE, CUT ON SITE FOR FINAL ADJUSTMENT AND CAULKED WITH SIKAFLEX BY CONTRACTOR FOR WATERTIGHT SEAL.
7. COVERS AVAILABLE FOR H20 TRAFFIC LOADING, PEDESTRIAN LOADING OR ABOVE GROUND INSTALLATION.
8. CONSULT GREEN TURTLE FOR OTHER SIZES.
9. 30 YEAR WARRANTY AGAINST LEAKS, AND STRUCTURAL FAILURE.
10. U.S. PATENT #5,746,912; CDN PATENT #2,195,822



TOP VIEW



ISOMETRIC VIEW



FRONT VIEW

TOTAL WET VOLUME: 2600 GAL
 MAX. OIL CAPACITY: 1415 GAL
 MAX SOLIDS CAPACITY: 891 GAL

CONSULT LOCAL AUTHORITIES FOR MINIMUM SIZE OF SEPARATORS

TITLE: PROCEPTOR SEPARATOR		REV	DATE	DRAWN
OMC 2600 GALLON INTERCEPTOR		1		
6" INLET & OUTLET		2		
24" ACCESSWAY		3	JUNE 15, 2005	L. SIMKINS
ALL DIMENSIONS IN INCHES		4	JANUARY 4, 2007	L. SIMKINS
PROJECT: WO:		5	NOVEMBER 18, 2009	L. SIMKINS
PROJECT: WO:		6		
PROJECT: WO:		7		
PROJECT: WO:		8		
PROJECT: WO:		9		
PROJECT: WO:		10		
✓ OPTIONS:				
OIL SENSOR ALARM				
COALESCER FOR OIL REMOVAL				
OIL RESERVOIR FOR OIL STORAGE				
SUCTION PIPE FOR INDOOR INSTALLATION		DRAWN BY: F. CHANDLER		
DOUBLE WALL CONSTRUCTION		DRAWN DATE 9/14/04		

Proceptor[®]
 by greenturtle[®]
 US 877 428 8187 CAN 877 966 9444
 www.greenturtletech.com

SIZE	DWG. NO.	REV.
A	OMC 2600	5

SCALE: 1:40 DO NOT SCALE DRAWING SHEET 1 OF 1