


NOTES:

- FOR GRAVITY APPLICATIONS ONLY.
- ALL PROCEPTOR UNITS ARE MANUFACTURED WITH FIBERGLASS REINFORCED PLASTICS. PHYSICAL CHARACTERISTICS AND THICKNESS: POLYESTER RESIN AND E GLASS MINIMUM THICKNESS 1/4" WALL AND 3/8" TOP AND BOTTOM BOWLS. MINIMUM BURIAL DEPTH = 28" FOR NON TRAFFIC RATED AND MINIMUM BURIAL DEPTH = 36" FOR TRAFFIC RATED MAXIMUM BURIAL DEPTH = 7 FEET 6 INCHES (GRADE TO INVERT OF INLET) FOR DEEPER INSTALLATIONS CALL GREEN TURTLE FOR CUSTOM REINFORCEMENT
- ALL PROCEPTOR UNITS ARE TO BE INSTALLED IN ACCORDANCE WITH THE MANUFACTURERS INSTALLATION INSTRUCTION.
- STANDARD PIPE STUBS ARE SOCKET SDR 35 PVC SEWER MATERIAL (SCHEDULE 40 ADAPTORS ADDED FOR ALL PROJECTS IN USA).
- GMC/OMC 500 - 3000 UNITS COME STANDARD WITH 6" INLET AND OUTLET (OTHER CUSTOM SIZES AVAILABLE AT EXTRA CHARGE).
- EXTENSION COLLAR TO BE ORDERED TO MEET FINISHED GRADE, CUT ON SITE FOR FINAL ADJUSTMENT AND CAULKED WITH SIKAFLEX BY CONTRACTOR IF WATERTIGHT SEAL REQUIRED.
- COVERS AVAILABLE FOR H2O TRAFFIC LOADING, PEDESTRIAN LOADING OR ABOVE GROUND INSTALLATION.
- CONSULT GREEN TURTLE FOR OTHER SIZES.
- ALL PROCEPTOR UNITS ARE FACTORY TESTED.
- 30 YEAR WARRANTY AGAINST LEAKS, AND STRUCTURAL FAILURE.
- U.S. PATENT #5,746,912; CDN PATENT #2,195,822

US PAT. # 5746912

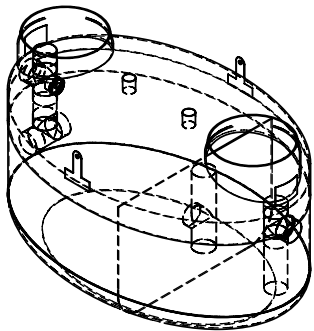
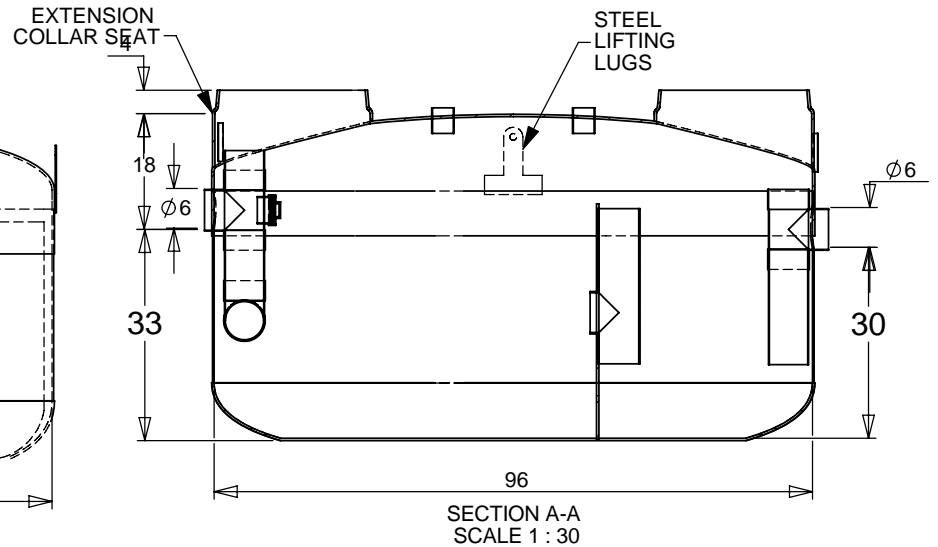
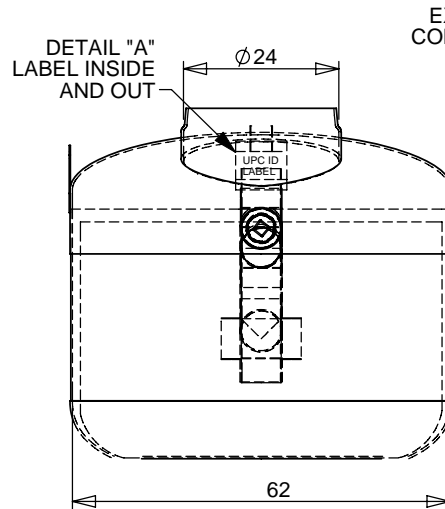
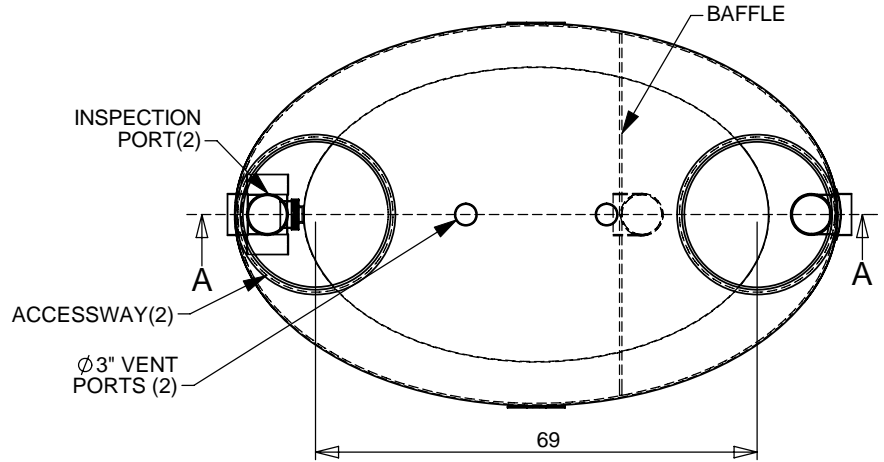
Proceptor TM



PROCEPTOR MODEL NUMBER: GMC 500 UPC
 LIQUID CAPACITY (WORKING VOLUME): 500 US GAL
 MANUFACTURER: GREEN TURTLE TECHNOLOGIES
 STD. MAX BURIAL DEPTH TO TOP OF TANK: 6 FT.
 MONTH/YEAR OF MANUFACTURE:

BAR CODE
TANK ID#

DETAIL "A"



FOR UPC/IAPMO INSTALLATIONS

TITLE: PROCEPTOR F.O.G. SEPARATOR GMC 500 UPC GALLON INTERCEPTOR 6" INLET & OUTLET 24" ACCESSWAY		REV	DATE	DRAWN	<p>Proceptor TM by greenturtle TM US 877 428 8187 CAN 877 966 9444 www.greenturtletech.com</p>
PROJECT: _____		1	JANUARY 2, 2007	L. SIMKINS	
WO: _____		2			
✓ OPTIONS:		3	MAY 21, 2008	L. SIMKINS	
OIL/GREASE SENSOR ALARM		4			
SUCTION PIPE FOR INDOOR INSTALLATION		5			
COALESCER (FOR OIL ONLY)10ppm TREATMENT		6			
DOUBLE WALL CONSTRUCTION		7			
		8			
		9			
		10			
		DRAWN BY: L. SIMKINS		SIZE	DWG. NO.
		DATE DRAWN: 6/15/04		A	GMC 500 UPC
				SCALE:1:30	DO NOT SCALE DRAWING
				SHEET 1 OF 1	REV. 3