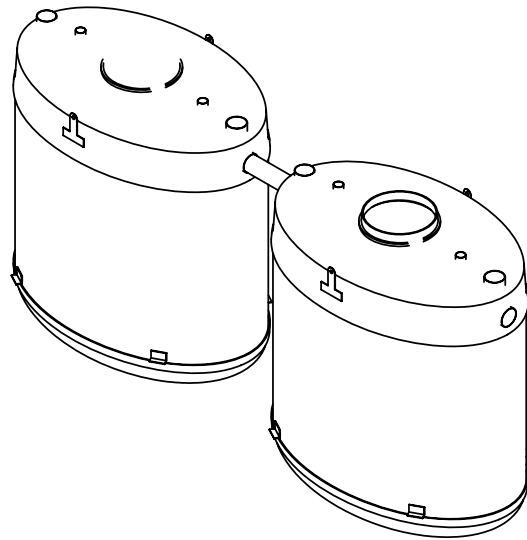
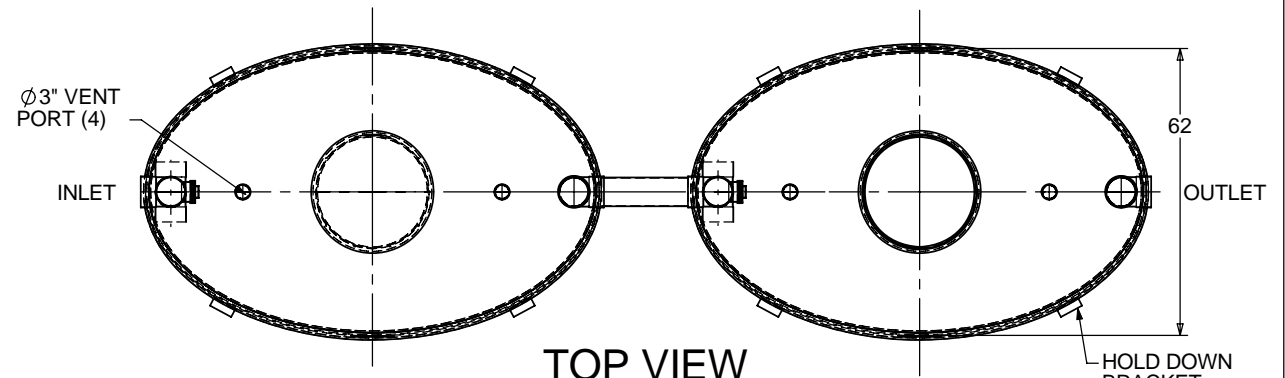


NOTES:

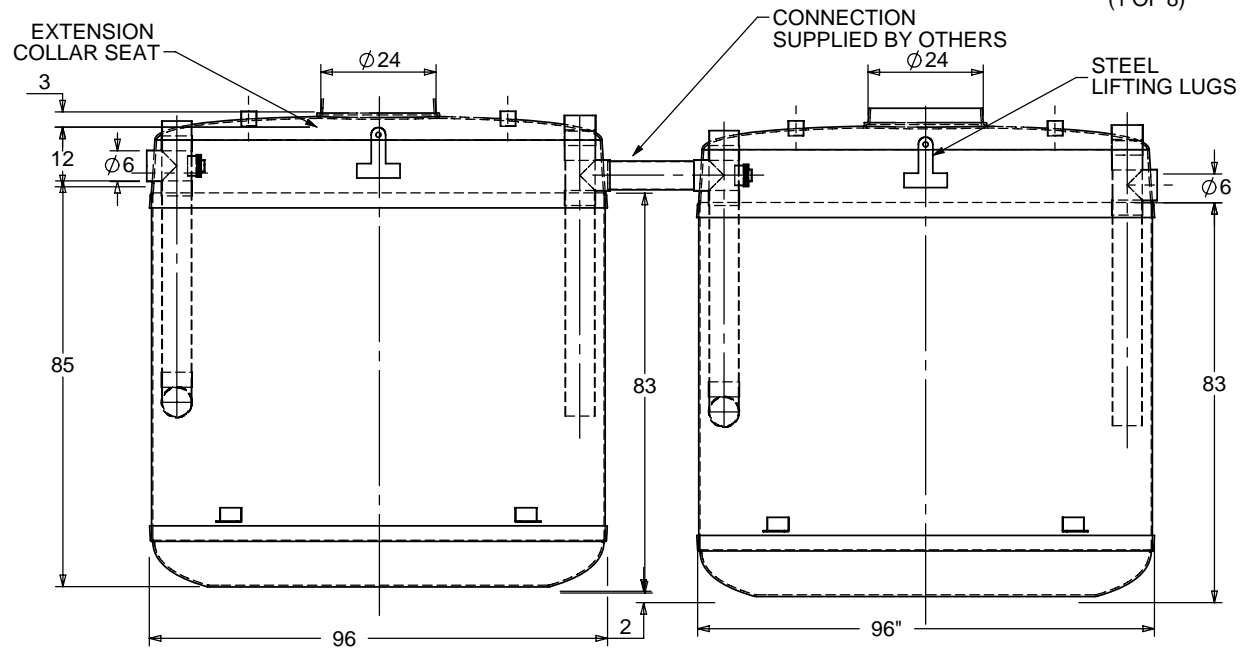
1. FOR GRAVITY APPLICATIONS ONLY.
2. ALL PROCEPTOR UNITS ARE MANUFACTURED WITH FIBERGLASS REINFORCED PLASTICS. PHYSICAL CHARACTERISTICS AND THICKNESS: POLYESTER RESIN AND E GLASS MINIMUM THICKNESS 1/4" WALL AND 3/8" TOP AND BOTTOM BOWLS.
3. ALL PROCEPTOR UNITS ARE TO BE INSTALLED IN ACCORDANCE WITH THE MANUFACTURERS INSTALLATION INSTRUCTION.
4. STANDARD PIPE STUBS ARE SOCKET SDR 35 PVC SEWER MATERIAL (SCHEDULE 40 ADAPTORS ADDED FOR ALL PROJECTS IN USA).
5. GMC/OMC 500 - 3000 UNITS COME STANDARD WITH 6" INLET AND OUTLET (OTHER CUSTOM SIZES AVAILABLE AT EXTRA CHARGE).
6. EXTENSION COLLAR TO BE ORDERED TO MEET FINISHED GRADE, CUT ON SITE FOR FINAL ADJUSTMENT AND CAULKED WITH SIKAFLEX BY CONTRACTOR FOR WATERTIGHT SEAL.
7. COVERS AVAILABLE FOR H20 TRAFFIC LOADING, PEDESTRIAN LOADING OR ABOVE GROUND INSTALLATION.
8. CONSULT GREEN TURTLE FOR OTHER SIZES.
9. 30 YEAR WARRANTY AGAINST LEAKS, AND STRUCTURAL FAILURE.
10. U.S. PATENT #5,746,912; CDN PATENT #2,195,822



ISOMETRIC VIEW



TOP VIEW



FRONT VIEW

TOTAL WET VOLUME: 3000 GAL
MAX. GREASE CAPACITY: 1638 GAL
MAX SOLIDS CAPACITY: 1080 GAL

CONSULT LOCAL AUTHORITIES FOR MINIMUM SIZE OF SEPARATORS

TITLE: PROCEPTOR
GMC 3000 GALLON INTERCEPTOR
6" INLET & OUTLET
24" ACCESSWAY
ALL DIMENSIONS IN INCHES

PROJECT: WO:

✓ OPTIONS:
OIL/GREASE SENSOR ALARM
COALESCER FOR OIL REMOVAL

ABOVE GROUND CONFIGURATION
SUCTION PIPE FOR INDOOR INSTALLATION
DOUBLE WALL CONSTRUCTION

REV	DATE	DRAWN
1		
2		
3	JUNE 15, 2005	L. SIMKINS
4	JANUARY 4, 2007	L. SIMKINS
5	NOVEMBER 10, 2009	L. SIMKINS
6		
7		
8		
9		
10		

DRAWN BY: F. CHANDLER
DRAWN DATE 9/14/04

Proceptor[®]
by **greenturtle**[®]
US 877 428 8187 CAN 877 966 9444
www.greenturtletech.com

SIZE	DWG. NO.	REV.
A	GMC 3000	5
SCALE:1:40	DO NOT SCALE DRAWING	SHEET 1 OF 1