


**NOTES:**

- FOR GRAVITY APPLICATIONS ONLY.
- ALL PROCEPTOR UNITS ARE MANUFACTURED WITH FIBERGLASS REINFORCED PLASTICS. PHYSICAL CHARACTERISTICS AND THICKNESS: POLYESTER RESIN AND E GLASS. MINIMUM THICKNESS 1/4" WALL AND 3/8" TOP AND BOTTOM BOWLS. MINIMUM BURIAL DEPTH = 28" FOR NON TRAFFIC RATED AND MINIMUM BURIAL DEPTH = 36" FOR TRAFFIC RATED. MAXIMUM BURIAL DEPTH = 7 FEET 6 INCHES (GRADE TO INVERT OF INLET). FOR DEEPER INSTALLATIONS CALL GREEN TURTLE FOR CUSTOM REINFORCEMENT.
- ALL PROCEPTOR UNITS ARE TO BE INSTALLED IN ACCORDANCE WITH THE MANUFACTURERS INSTALLATION INSTRUCTION.
- STANDARD PIPE STUBS ARE SOCKET SDR 35 PVC SEWER MATERIAL (SCHEDULE 40 ADAPTORS ADDED FOR ALL PROJECTS IN USA).
- GMC/OMC 500 - 3000 UNITS COME STANDARD WITH 6" INLET AND OUTLET (OTHER CUSTOM SIZES AVAILABLE AT EXTRA CHARGE).
- EXTENSION COLLAR TO BE ORDERED TO MEET FINISHED GRADE, CUT ON SITE FOR FINAL ADJUSTMENT AND CAULKED WITH SIKAFLEX BY CONTRACTOR IF WATERTIGHT SEAL REQUIRED.
- COVERS AVAILABLE FOR H2O TRAFFIC LOADING, PEDESTRIAN LOADING OR ABOVE GROUND INSTALLATION.
- CONSULT GREEN TURTLE FOR OTHER SIZES.
- ALL PROCEPTOR UNITS ARE FACTORY TESTED.
- 30 YEAR WARRANTY AGAINST LEAKS, AND STRUCTURAL FAILURE.
- U.S. PATENT #5,746,912; CDN PATENT #2,195,822

US PAT. # 5746912 TM

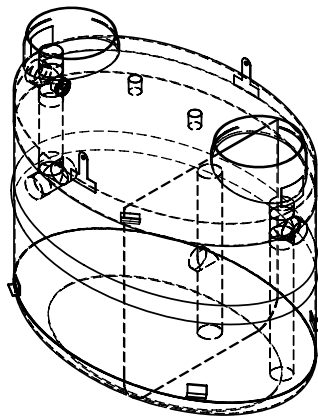
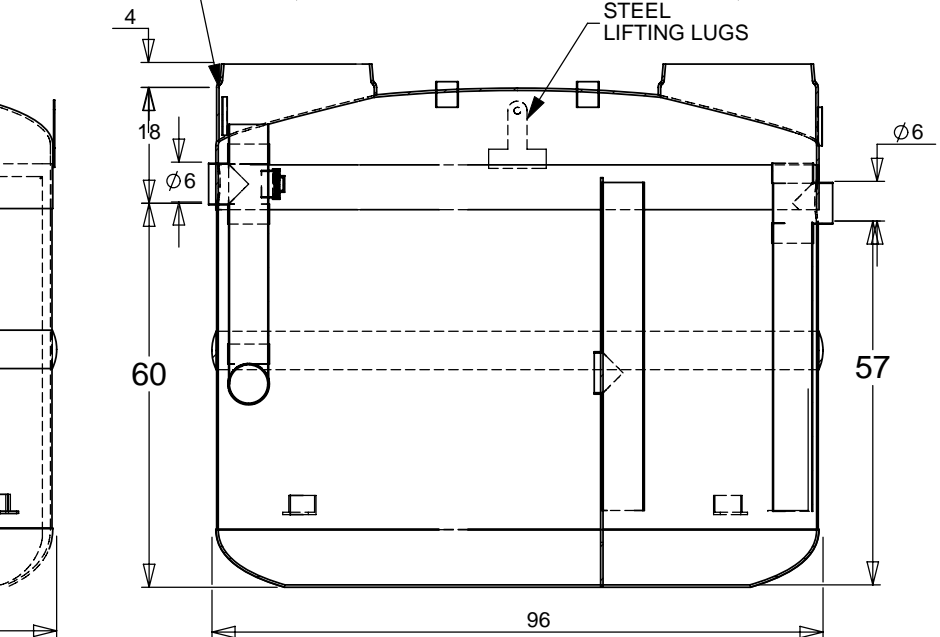
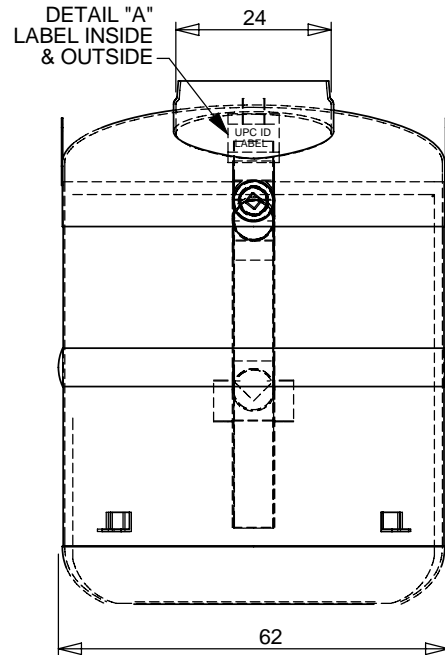
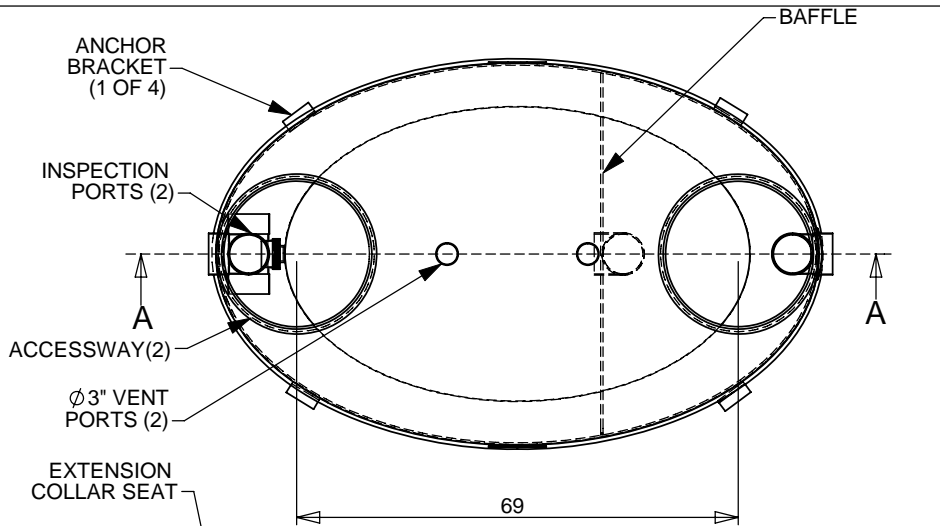
**Proceptor**



PROCEPTOR MODEL NUMBER: GMC 1000 UPC  
 LIQUID CAPACITY (WORKING VOLUME): 1000 US GAL.  
 MANUFACTURER: GREEN TURTLE TECHNOLOGIES  
 STD. MAX BURIAL DEPTH TO TOP OF TANK: 6 FT.  
 MONTH/YEAR OF MANUFACTURE:

BAR CODE  
TANK ID#

DETAIL A



**FOR UPC/IAPMO INSTALLATIONS**

SECTION A-A  
SCALE 1 : 30

TITLE: PROCEPTOR F.O.G. SEPARATOR GMC 1000 UPC GALLON INTERCEPTOR 6" INLET & OUTLET 24" ACCESSWAY		REV	DATE	DRAWN
PROJECT: _____		1	6/15/04	F. CHANDLER
WO: _____		2	9/20/05	L. SIMKINS
✓ OPTIONS:		3	3/29/06	L. SIMKINS
OIL/GREASE SENSOR ALARM		4	JANUARY 2, 2007	L. SIMKINS
SUCTION PIPE FOR INDOOR INSTALLATION		5	MAY 14, 2008	L. SIMKINS
ABOVE GROUND CONFIGURATION		6		
DOUBLE WALL CONSTRUCTION		7		
		8		
		9		
		10		
DRAWN BY: F. CHANDLER				
DATE DRAWN: 6/15/04				

TM

# Proceptor

by greenturtle TM

US 877 428 8187 CAN 877 966 9444  
www.greenturtletech.com

SIZE	DWG. NO.	REV.
A	GMC 1000 UPC	5

SCALE: 1:30 | DO NOT SCALE DRAWING | SHEET 1 OF 1